

Standard Spray Fire Sprinkler

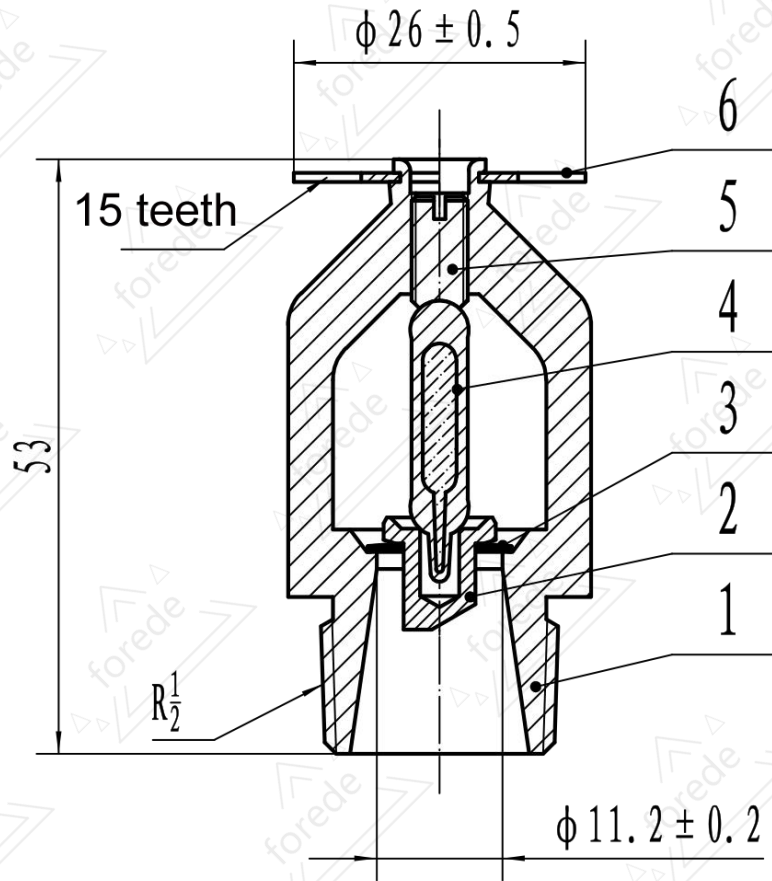
FRD001&FRD002



Specification

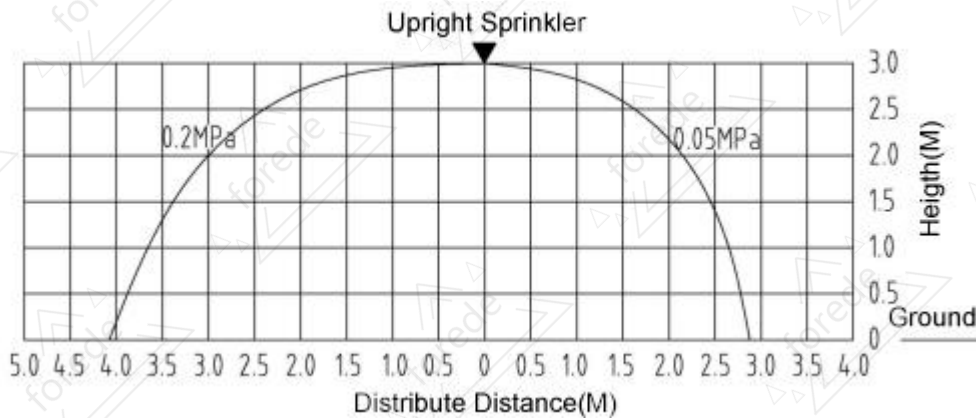
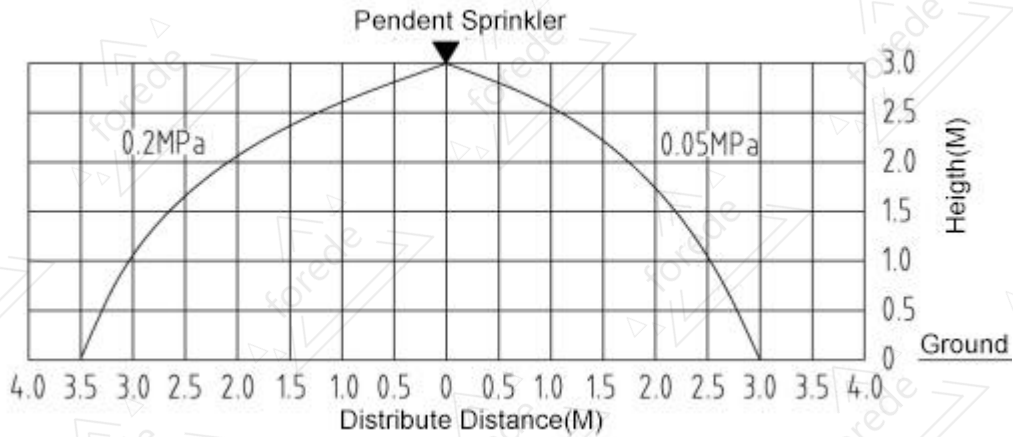
Material	Frame	Brass
	Deflector	Brass/Stainless Steel
	Sealing	NBR O-Ring
	Finish	Chrome
	Glass Bulb	JOB F5
K factor	K=5.6(80.6)	
Max Working Pressure	175 psi(12.1 bar)	
Thread Size	1/2"R	
Temperature	57°C/68°C/79°C/93°C/141°C/182°C	
Bulb	5mm/3mm	

Technical Information



Item NO.	Name	Material NO.
1	Frame	YZCuZn40Pb
2	Seal Base	HPb59-1
3	O-ring	NBR
4	Glass Bulb	JOB F5
5	Bolt	HPb59-1
6	Deflector	H62

Distribution Patterns



Installation

- *Step 1. Install upright sprinklers in the upright position.
- *Step 2. With pipe-thread sealant applied to the pipe threads, hand tighten the sprinkler into the sprinkler fitting.
- *Step 3. Tighten the sprinkler into the sprinkler fitting using the Sprinkler Wrench.
- *Do not install any bulb type sprinkler
- *If the bulb is cracked or there is a loss of liquid from the bulb. With the sprinkler held horizontally, a small air bubble should be present.

Operation

The glass bulb contains a fluid which expands when exposed to heat. When the rated temperature is reached, the fluid expands sufficiently to shatter the glass bulb, allowing the sprinkler to activate and water to flow.

Maintenance

1. Absence of the outer piece of an escutcheon, which is used to cover a clearance hole, can delay sprinkler operation in a fire situation.
2. The owner must assure that the sprinklers are not used for hanging any objects and that the sprinklers are only cleaned by means of gently dusting with a feather duster; otherwise, non-operation in the event of a fire or inadvertent operation may result.
3. Sprinklers which are found to be leaking or exhibiting visible signs of corrosion must be replaced.
4. Automatic sprinklers must never be painted, plated, coated, or otherwise altered after leaving the factory. Modified sprinklers must be replaced. Sprinklers that have been exposed to corrosive products of combustion, but have not operated, should be replaced. If they cannot be completely cleaned by wiping the sprinkler with a cloth or by brushing it with a soft bristle brush.
5. Care must be exercised to avoid damage to the sprinklers before, during, and after installation. Sprinklers damaged by dropping, striking, wrench twist / slippage, or the like, must be replaced. Also, replace any sprinkler that has a cracked bulb or that has lost liquid from its bulb.
6. Thereafter, annual inspections ; however, instead of inspecting from the floor level, a random sampling of close-up visual inspections should be made.
7. When the bubble of glass bulb is found to become bigger obviously, should change to use spare fire sprinkler.